

Castle Model TSM-35

Heavy Duty Screw Pocket Machine

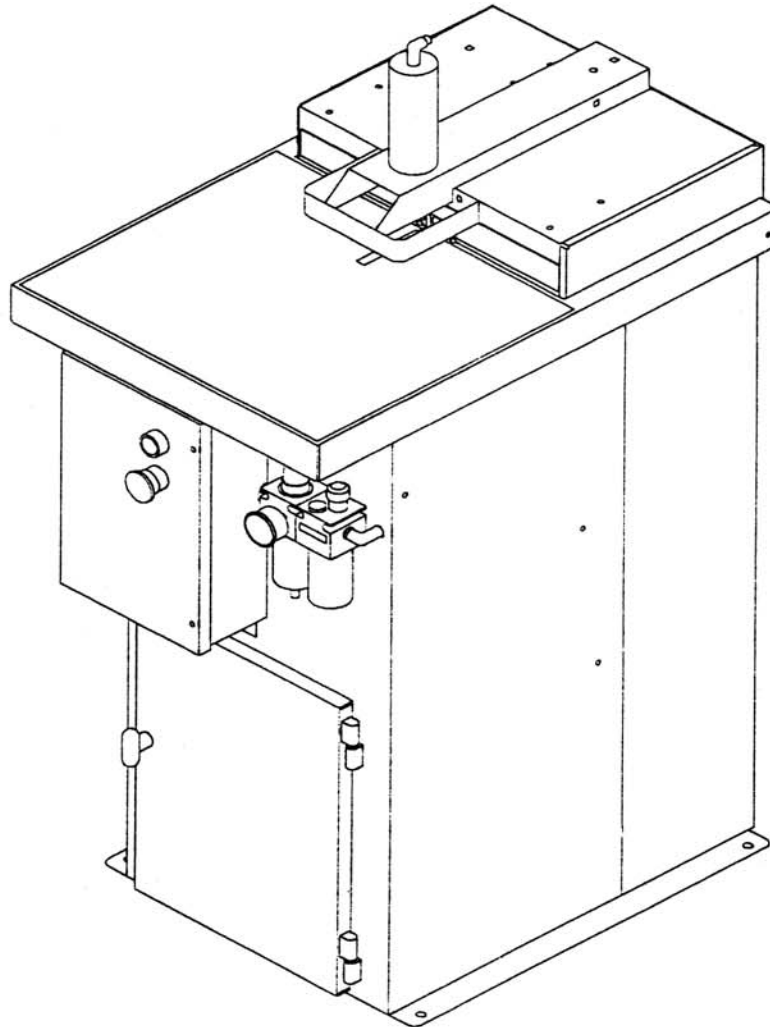
"For Models with Serial Number 60343 and Below"

Items Included with Machine

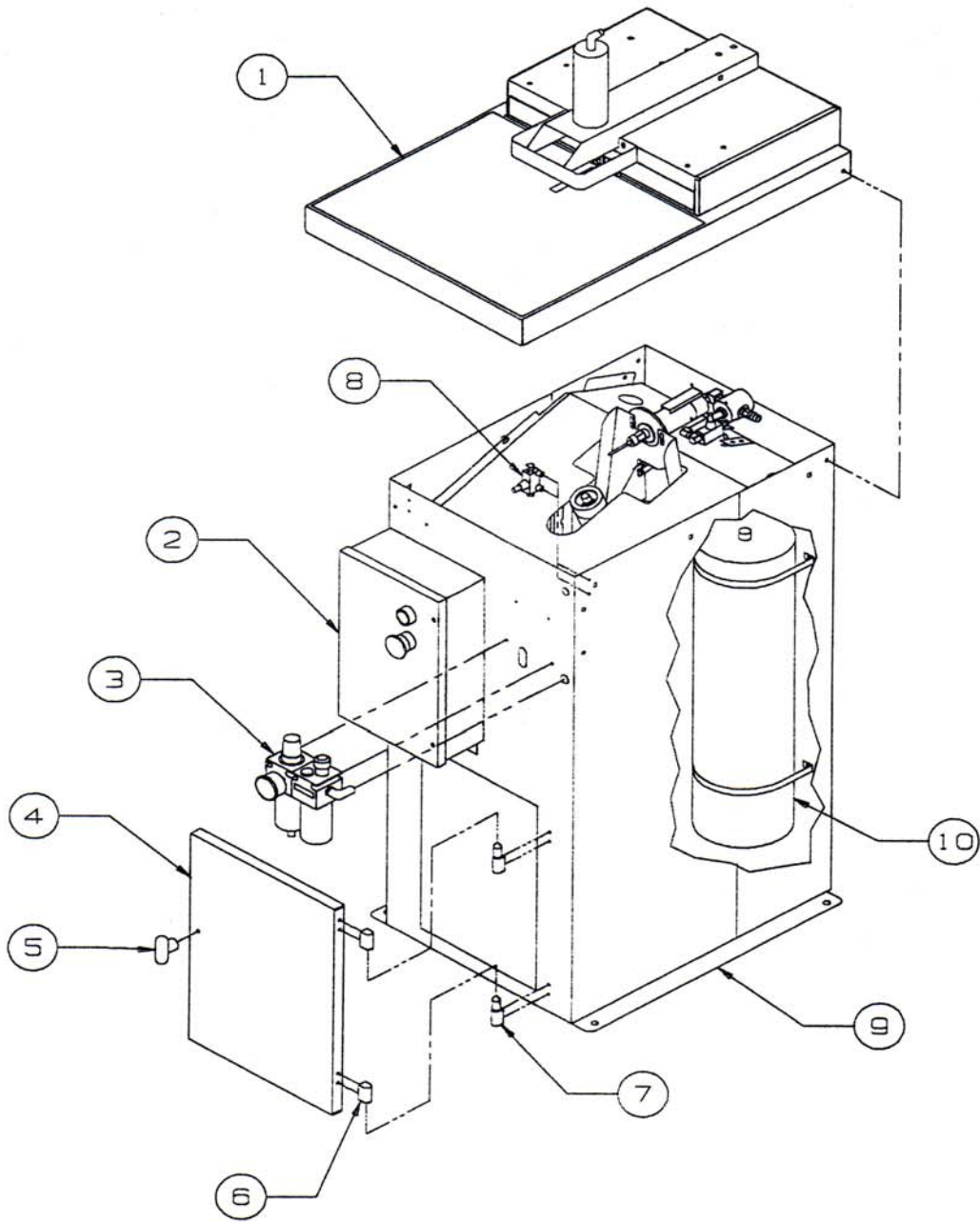
Part No.	Description	Qty
B00964	Castle 9/64 Cobalt Drill Bit w 1/4" Shank	1
B00038	Four Flute Cobalt Rough Mill 3/8" Flute	1
T42596	Wrench, Porter Cable 690	2
B00622	Square Driver Bit, #2 x 6"	1
S00350	Sioux Air Tool Oil	1 Qt
O00234	Bit Depth Guage	1
S90035	Operator's Manual	1

NOTES:

1. CABINET ASSEMBLY DETAIL - PAGE 2
2. TOP ASSEMBLY DETAIL - PAGE 3
3. ROUTER AND DRILL CARRIAGE DETAILS - PAGE 4
4. ELECTRICAL BOX ASSEMBLY - PAGE 5



TSM-35
HEAVY DUTY POCKET MACHINE **1 OF 5**

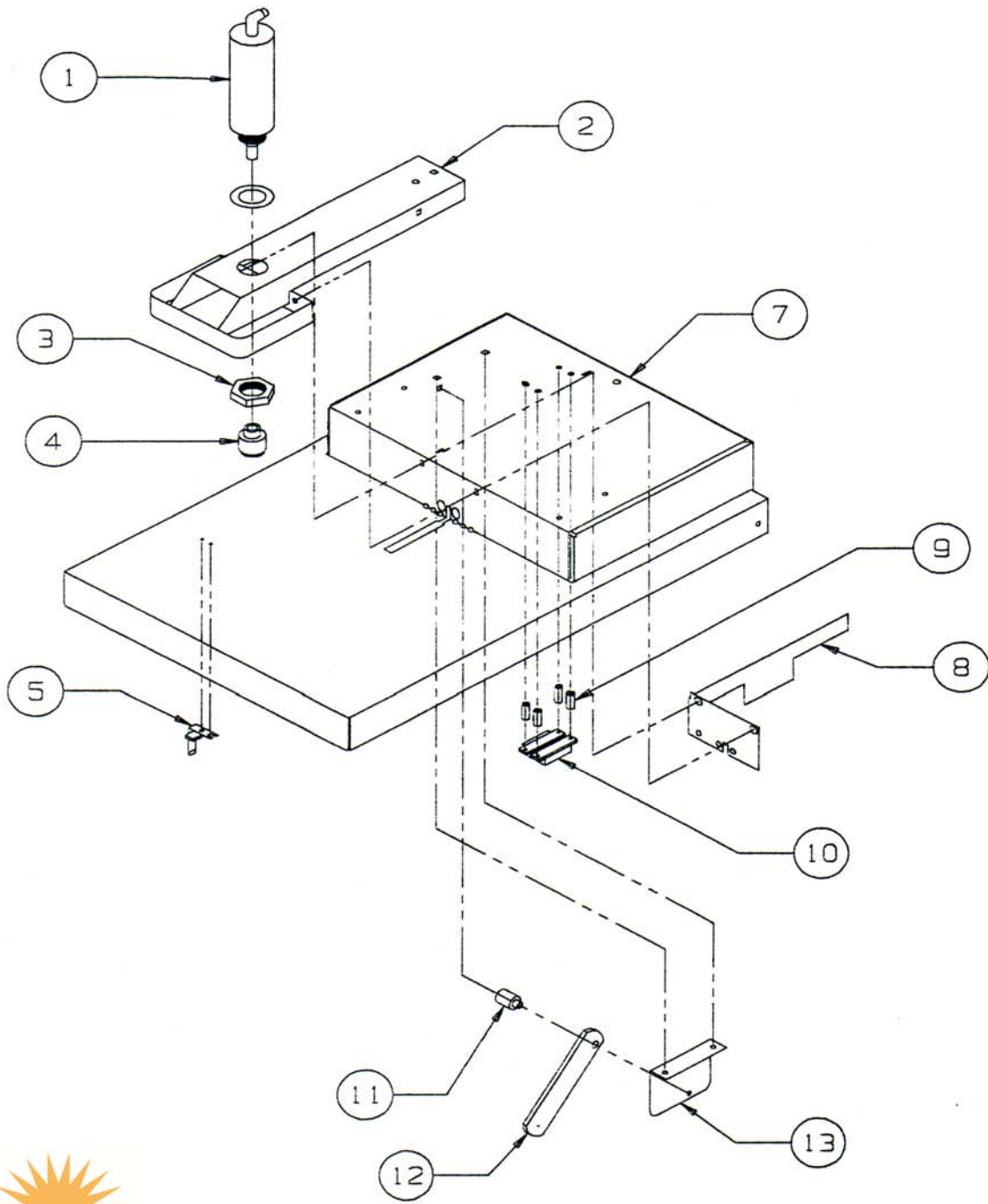


TSM-35
CASE ASSEMBLY DETAIL **2 OF 5**

DRAWING 2 OF 5 - CASE ASSEMBLY

Item #	Part #	Part Description	Qty
1	C35010	Top Assembly - See Page 2.	1
2		Control Panel Assembly - See Page 5.	1
3	C35002	TSM-35 FRL Assembly	
	P35066	TSM-35 Filter/Regulator, Parker	1
	P35067	TSM-35 Lubricator, Parker	1
	P35068	TSM-35 FRL Mount Bracket	1
	P35069	TSM-35 FRL Connector	1
	P35070	TSM-35 Gauge	1
	P14414	1/4 Male x 1/4 PI Elbow	1
	P21244	1/4 NPT x 3/8 PI Elbow Norgren	1
	P26482	1/8M x 1/4 PI Straight Alkon	1
	P14116	1/4 Male Street L Brass	1
4	M00400	Door, Front, Black w/ Logo	1
5		Door Handle Assembly	
	H00141	Bar Knob, Plastic, 1/4-20	1
	N00101	Spring Door Clip	1
	F14125	Screw, Hex Head Cap, 1/4-20 x 1/2 ZP	1
6		Door Hinge Assembly	2
	D00402	Hinge, Plastic, Black, Female	2
	F10241	Screw, Pan Head Phillips, 10-24 x 1/4 ZP	4
7		Case Hinge Assembly	2
	D00401	Hinge, Plastic, Black, Male	2
	F10241	Screw, Pan Head Phillips, 10-24 x 1/4 ZP	4

Item #	Part #	Part Description	Qty
8		Router Drive Speed Control	
	P00117	Valve, Flow Control, SMC NAS-2000-N01	1
	P18165	Fitting, 1/8 NPT x 1/16 Side Out Barb, Brass	1
	P18161	Fitting, 1/8 NPT x 1/16 Barb, White Nylon	1
	F08112	Screw, Pan Phillips, 8-32 x 1-1/2 ZP	2
	F08032	Nut, Nylon Lock 8-32	2
9		Main Case	
	M35001	Main Case, Green	1
	S00320	Label, Serial Number	1
	F14212	Carriage Bolt, 1/4-20 x 1/2 ZP	2
	F03810	Washer, 3/8 SAE ZP	2
	F14340	Carriage Bolt, 1/4-20 x 3/4 ZP	6
	F01410	Washer, 1/4 SAE ZP	6
	F01420	Nut, Nylon Lock, 1/4-20 ZP	8
	F08012	Screw, Pan Phillips Machine, 8-32 x 1/2 ZP	7
	F08032	Nut, Nylon Lock, 8-32 ZP	7
	D08320	Cable Tie Holder, Small White Nylon	5
10		Air Reservoir Assembly	
	M35624	Air Manifold, Black 6" OD x 24" L	1
	S00161	Strap, Manifold Retaining	2
	F14585	Screw, Hex Head Cap, 14/-20 x 5/8 ZP	4
	F14225	Screw, Hex Head Cap, 1/4-20 x 1 ZP	1
	F01410	Washer, 1/4 SAE ZP	5
	F01422	Nut, Lock Washer 1/4-20 Kep ZP	5
	P03838	Fitting, 3/8 NPT x 3/8 Push In Straight	1
	P38012	Tube, 3/8 OD Black Polyethelene	1.0"
	P38012	Tube, 3/8 OD Black Polyethelene	20.5"
	P50638	Check Valve, 3/8 x 3/8 In Line, Norgren	1
	P01403	Pipe Connector, 1/4 NPT Brass T	1
	P14438	Fitting, 1/4 NPT x 3/8 Push In Elbow	1
	P14002	Drain Cock, 1/4 NPT Type 2	1
	P14214	Nipple, 1/4 NPT Hex Close	1



TSM-35
 TOP ASSEMBLY DETAIL **3 OF 5**

DRAWING 3 OF 5 - TOP ASSEMBLY

Item #	Part #	Part Description	Qty
1		Clamp Cylinder	
	P00215	Cylinder Spring Return, 2" Bore, 1.5" Stroke, SS Rod	1
	P14414	Fitting, 1/4 NPT x 1/4 Push In Elbow	1
	H10138	Washer, Fiber, 1-3/8 ID	1

Item #	Part #	Part Description	Qty
2		Clamp Guard	
	M00210	Clamp Guard, Yellow	1
	F14214	Carriage Bolt, 1/4-20 x 2-1/4 ZP	1
	F01422	Nut, Lock Washer Kep 1/4-20 ZP	1
	F01410	Washer, 1/4 SAE ZP	3
	F14378	Screw, Button Head Socket, 1/4-20x7/8 BkOxide	2
	F14202	Nut, Pem Self Clinching, 1/4-20 #2	2
	F01423	Nut, Hex 1/4-20 ZP	2
3	F11212	Nut, Hex Jam 1-1/2-12 ZP	1

Item #	Part #	Part Description	Qty
4	C00200	Clamp Foot Assembly	
	N21351	Clamp Foot, Small Zinc Plated	1
	N70118	Pad, Polyurethane 1-1/8"	1
	F12222	Nut, Hex Jam, 1/2-20 ZP	1

Item #	Part #	Part Description	Qty
5		Safety Interlock Key	
	E03200	Key, Security Switch, SE3200-0XX13 Safety Switch	1
	F08032	Nut, Nylon Lock, 8-32 ZP	2

Item #	Part #	Part Description	Qty
7		Main Case Top	
	M35102	Main Case Top	1
	F42212	Screw, Hex Head Cap, 1/4-20 x 2-1/2 ZP	2
	F01420	Nut, Nylon Lock, 1/4-20 ZP	2
	F01410	Washer, 1/4 SAE ZP	2
	N00345	Spacer, Aluminum, 3/4 OD x 5/16 ID x 5/8 L	2
	F08012	Screw, Pan Phillips Machine, 8-32 x 1/2 ZP	1
	F08032	Nut, Nylon Lock, 8-32 ZP	1
	D08320	Cable Tie Holder, Small, White Nylon	1
	H49563	Finish Plug, 1/4" Knuckle	4
	H12573	End Cap, Black Plastic 1" x 2"	2

Item #	Part #	Part Description	Qty
7		Main Case Top (Continued)	
	V90211	Face Plate, Solid Core Grey, 1-1/2 x 15-1/2	1
	V90351	Work Top, Solid Core Grey, 15-1/2 x 17-7/8	1
	S00301	Label, Warning, Keep Hands Clear, Lexan	1

Item #	Part #	Part Description	Qty
8	C35101	Safety Switch Blade Assembly	
	M35016	Safety Switch Blade	1
	F10327	Screw, Button Head Socket, 10-32 x 7/8 Bk Oxide	3
	F10322	Nut, Hex Jam, 10-32 ZP	2

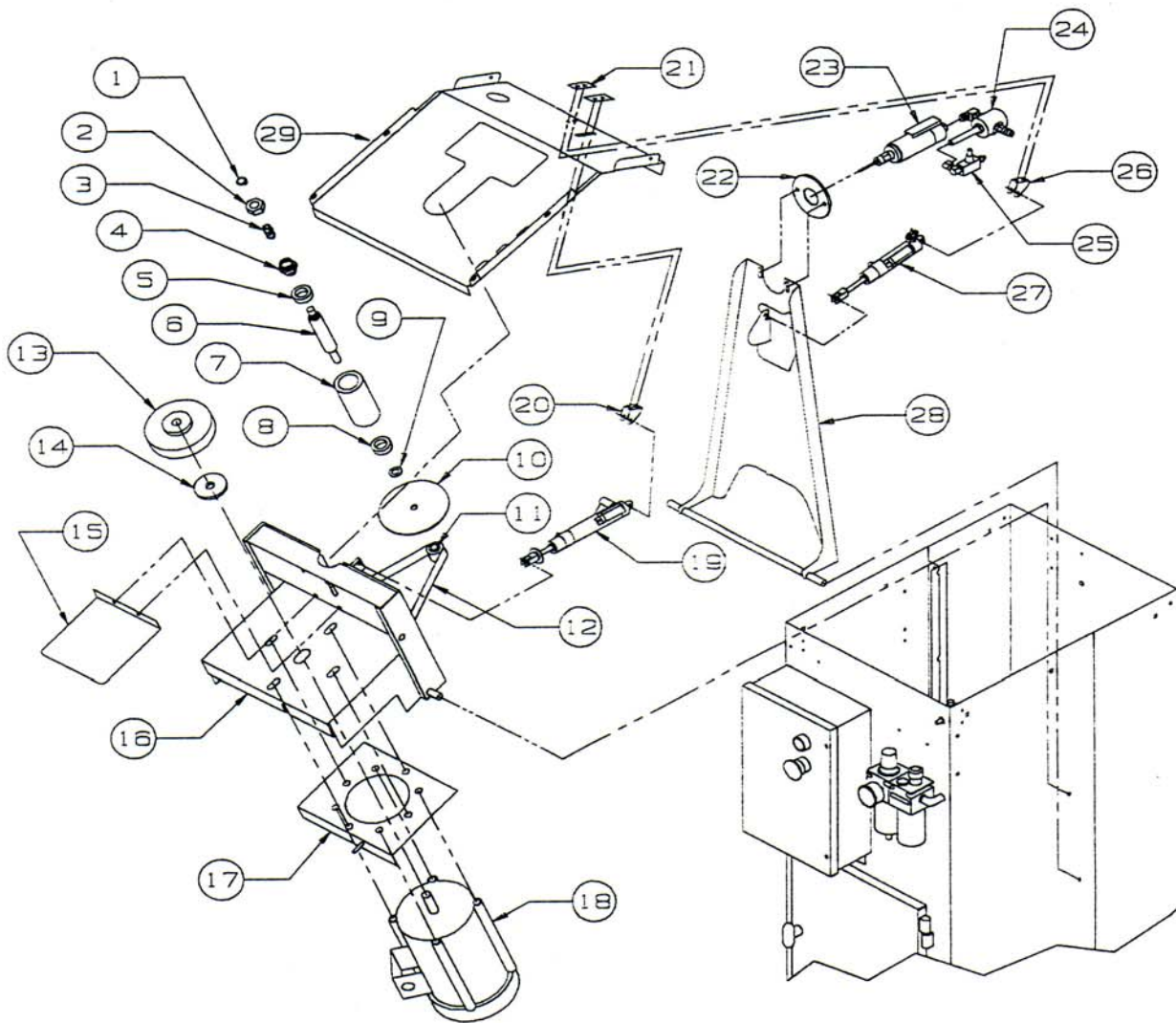
Item #	Part #	Part Description	Qty
9		Safety Switch Mounting Assembly	
	F08112	Screw, Flat Phillips Machine, 8-32 x 1-1/2 ZP	4
	F08032	Nut, Nylon Lock, 8-32 ZP	4
	D38507	#8 Spacer, Nylon, 3/8 OD x 7/8" L	4

Item #	Part #	Part Description	Qty
10		Safety Switch	
	E01850	Actuator, Magnetic and Switch, Magnetic Reed	1
	E22708	Wire, 22AWG, 2 Strand, Grey Jacketed	64"
	P38012	Tubing, 3/8 OD Black Polyethelene	22"

Item #	Part #	Part Description	Qty
11		Lid Prop Mounting Assembly	
	F14214	Carriage Bolt, 1/4-20 x 2-1/4 ZP	1
	N00345	Spacer, Large Aluminum, 3/4 OD x 5/16 ID x 5/8 L	1
	N00346	Spacer, Small Aluminum, 3/4 OD x 5/16 ID x 5/16 L	1
	N38314	Spacer, Steel, 3/8 OD x 1/4 ID x 5/16 L ZP	1
	F01422	Nut, Lock Washer, Kep 1/4-20 ZP	1
	F01410	Washer, 1/4 SAE ZP	1

Item #	Part #	Part Description	Qty
12	M35023	Lid Prop, Aluminum 1/4 x 1-1/2 x 6	1

Item #	Part #	Part Description	Qty
13		Lid Prop Support Bracket Assembly	
	M35024	Lid Prop Support Bracket, Aluminum	1
	F14212	Carriage Bolt, 1/4-20 x 1/2 ZP	2
	F01420	Nut, Nylon Lock, 1/4-20 ZP	2



TSM-35
 DRILL & ROUTER CARRIAGE ASSEMBLY **4 OF 5**

DRAWING 4 OF 5 - ROUTER SPINDLE ASSEMBLY

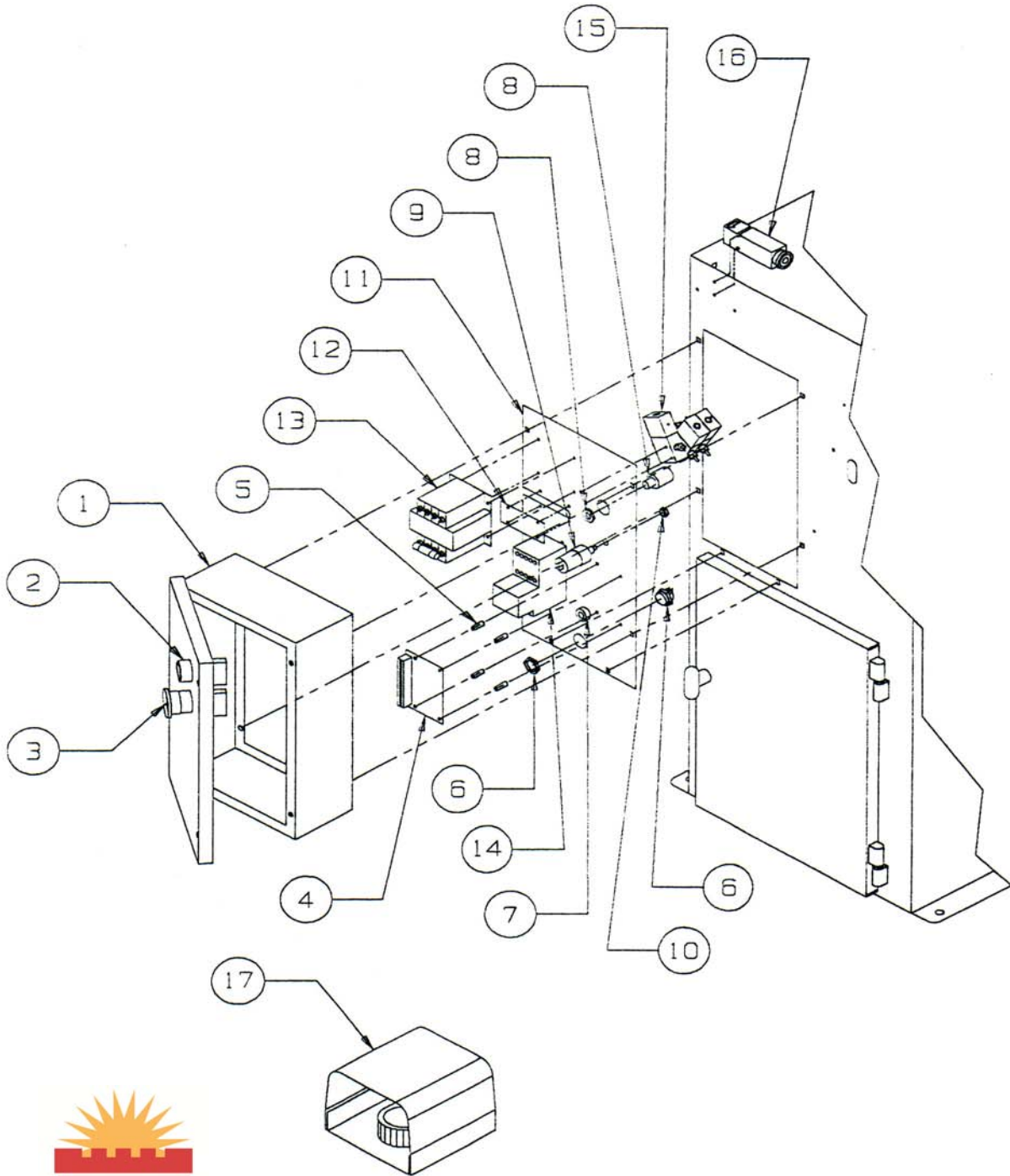
Item #	Part #	Part Description	Qty
1	D50038	Snap Ring, Collet and	1
2		Nut, Collet and	1
3		Collet, 3/8"	1
4	D50055	Chuck	1
5		Bearing Assembly	
	H78065	Bearing	1
	D35137	Snap Ring, Internal,	1
6	N35313	Router Spindle, Stress Proof Steel	1
7	N35352	Spindle Housing	1
8	H78065	Bearing	1
9	H01058	Bushing, Machinery 1" OD x 5/8 ID	1
10	M35011	Flywheel, 10 GA. Steel, 4.95 OD ZP	1
11		Small Pulley Assembly	
	N35353	Small Driven Pulley	1
	F51645	Screw, Hex Head Cap, 5/16-18 x 3/4 Grade 5 ZP	1
	F01411	Washer, 1/4 USS ZP	1
12	H12075	Belt, Flat Drive, 1" x 20.75	1
13		Drive Pulley	
	N35354	Large High Speed Drive Pulley	1
	F14238	Screw, Cup Point Socket Set, 1/4-20x3/8BKoxide	1
14	H35005	Motor Shaft Slinger	1
15	M35030	Belt Cover	1

Item #	Part #	Part Description	Qty
16		Router Carriage Assembly	
	M35103	Router Motor Carriage	1
	F14222	U-Bolt, 1/4-20 x 1-1/2 ZP	2
	F01420	Nut, Nylon Lock, 1/4-20 ZP	7
	F01410	Washer, 1/4 SAE ZP	7
	F38161	Screw, Hex Head Cap, 3/8-16 x 1" ZP	4
	F03876	Washer, 3/8 USS ZP	4
	N03442	Bushing, 3/4" Hex Brass Carriage Pivot	2
	F42114	Screw, Cup Point Socket Head Set, 1/4-20 x 1/4	2
	F01420	Nut, Nylon Lock, 1/4-20 ZP	2
17	M35010	Motor Pull Plate	1
18		Motor Assembly	
	E35501	Motor, BaldorTEFC, 1-1/2HP 3Phase 3550RPM	1
	E35164	Motor Cord, 16-4 SOW	60"
	D12001	Clamp Connector, 3/8 - 1/2 KO	1
19		Router Drive Cylinder Assembly	
	P35300	Cylinder, 1.06 DXPSRM Bore, 3" Stroke, Dbl Acting	1
	D07131	Rod Clevis CT 11	1
	F51600	Washer, 5/16 Large OD ZP	1
	F01410	Washer, 1/4 SAE ZP	1
	F01424	Nut, Hex Jam, 1/4-20 ZP	1
	D14034	Clevis Pin, 1/4 x 3/4	1
	D14934	Hairpin, 1/4 ZP	1
	H15878	Bumper, Black Rubber, 1" OD x 5/8 ID x 7/8 L	1
	P00535	Fitting, 1/8 NPT x 5/32 Push In Swivel Elbow	1
	P18165	Fitting, 1/8 NPT x 1/16 Side Out Barb, Brass	1
	P53293	Tubing, Clear Polyurethane, 5/32 OD	44"
	P16181	Tubing, White Polyurethane, 1/8 OD x 1/16 ID	62"
	E81060	Switch, Magnetic Reed	1
	E22708	Wire, 22 AWG, 2 Strand, Grey Jacketed	45"
	D13426	Clamp, Hose, 1-3/4 Worm Drive	1

DRAWING 4 OF 5 - ROUTER SPINDLE ASSEMBLY

Item #	Part #	Part Description	Qty
20		Clevis Bracket Assembly	
	D07111	Clevis Bracket, 1/4" ZP	1
	D14078	Clevis Pin, 1/4 x 7/8 ZP	1
	C14934	Hairpin, 1/4 ZP	1
21		Pallet Pivot Bracket Assembly	2
	M35009	Bracket, Pallet Pivot	2
	F14585	Screw, Hex Head Cap, 1/4-20 x 5/8 ZP	4
	F01420	Nut, Nylon Lock, 1/4-20 ZP	4
22		Drill Motor Mount Assembly	
	M35017	Bracket, Drill Motor Mount, ZP	1
	F14340	Carriage Bolt, 1/4-20 x 3/4 ZP	2
	F01422	Nut, Lock Washer Kep, 1/4-20 ZP	2
	F01410	Washer, 1/4 SAE ZP	2
23		Drill Motor Assembly	
	P01956	Air Motor, Sioux Model 1954HPHT	1
	B00964	Castle Drill Bit, 9/64 Cobalt w/ 1/4" Shank	1
	D71230	Cable Tie, Black Nylon, 7-1/2"	1
24		Drill Pilot Valve Assembly	
	P35250	Valve, Humphrey Drill Pilot	1
	P14214	Nipple, 1/4 NPT, Hex Close	1
	P14116	Fitting, Street L Brass, 1/4 NPT M/F	1
	P35389	Hose Assembly, 3/8 Red Urethane W/ Fitting	1
25		Drill Return Delay Valve Assembly	
	C35005	Valve, Flow Control, SMC NAS-2000-N01	1
	P00117	Valve, Flow Control, SMC NAS-2000-N01	1
	P00538	Fitting, 1/8 NPT x 5/32 Push In Straight	1
	P18141	Fitting, 1/8 NPT Street L M/F	2
	P18030	Pipe Nipple, 1.8 NPT x 3" Copper	1

Item #	Part #	Part Description	Qty
26		Clevis Bracket Assembly	
	D07111	Clevis Bracket, 1/4" ZP	1
	D14078	Clevis Pin, 1/4 x 7/8 ZP	1
	D14934	Hairpin, 1/4 ZP	1
27		Drill Drive Cylinder Assembly	
	P35125	Cylinder, 1.06 Bore, 1.25" Stroke, Dbl Acting	1
	D07130	Rod Clevis	1
	D14034	Clevis Pin, 1/4 x 3/4	1
	D14934	Hairpin, 1/4 ZP	1
	P18162	Fitting, 1/8 NPT x 1/8 Barb Black Nylon	1
	P16182	Tubing, Black Polyurethane, 1/8 OD x 1/16 ID	41"
	P18218	Nipple, 1/8 NPT Hex Close	1
	P00117	Valve, Flow Control, SMC NAS-2000-N01	1
	P10328	Bushing, 10-32 x 1/8 NPT Brass	1
	P10320	Valve, SQE 10-32 Brass	1
	P10321	Fitting, 10-32 M x 1/16 Barb, White Nylon	1
	P10322	Fitting, 10-32 M x 1/16 Barb, Black Nylon	1
	P16182	Tubing, Black Polyurethane, 1/8 OD x 1/16 ID	31"
	E81060	Switch, Magnetic Reed	1
	E22708	Wire, 22AWG, 2 Strand, Grey Jacketed	45"
	D13426	Clamp, Hose, 1-3/4 Worm Drive	1
28		Drill Carriage Assembly	
	M35101	Drill Carriage, Yellow	1
	N03442	Bushing, 3/4" Hex Carriage Pivot	2
	F42114	Screw, Cup Point Socket Head Set, 1.4-20 x 1/4	2
	F01420	Nut, Nylon Lock, 1/4-20 ZP	2
29		Pallet, White	1



TSM-35
CONTROL PANEL DETAIL

5 OF 5

DRAWING 5 OF 5 - CONTROL PANEL ASSEMBLY

Item #	Part #	Part Description	Qty
1		Control Panel Enclosure Assembly	
	M00134	Control Panel Enclosure	1
	F14585	Screw, Hex Head Cap. 1/4-20 x 5/8 ZP	4
	F01423	Nut, Hex, 1/4-20 ZP	4
	S17578	Label, Caution, "Wear Safety Glasses"	1
	S13264	Label, Warning, "Danger Electrical Hazard"	1
	S11635	Label, "Made in USA"	1
	S35002	Label, Wiring Diagram	1
	D06627	Cable Tie Anchor, White Nylon, W/ Adhesive	2
2	C30351	Start Switch Assembly	
	E00301	Actuator, Start Switch	1
	E00530	Latch, Switch	1
	E05301	Contact Block, Normally Open	1
3	C30352	Stop Switch Assembly	
	E00504	Actuator, Stop Switch	1
	E00530	Latch, Switch	1
	E05302	Contact Block, Normally Closed	1
4	E35424	Control Board, EL-35D	1
5		Control Board Mounting Assembly	
	D08012	1/4 x 1/2 #8 Plastic Spacer	4
	F08100	Screw, Pan Head Phillips, 8-32 x 1 ZP	4
	F08132	Nut, Lock Washer, 8-32 Kep ZP	4
6	D12001	Clamp Connector & Nut, Romex 3/8-1/2 KO	1
7	H12516	Grommet, Black Rubber, 5/16 ID x 1/2 OD	1
8		Strain Relief	
	D49600	Strain Relief Nut, 3/8 - 1/2	1

Item #	Part #	Part Description	Qty
9		Pressure Sensor Switch	
	E35420	Switch, Air Pressure Sensing	1
	D22181	Terminal, 22-18 Fully Insulated, Female	2
	P10325	Fitting, 10-32 x 5/32 ID Blk Barb	1
	P14170	Tubing, 1/4 OD x .170 ID, Black Urethane	1"
10	F03824	Nut, Hex Jam, 3/8-12 ZP	1
11		Control Panel Back Plate	
	M35013	Control Panel Back Plate	1
	F14212	Carriage Bolt, 1/4-20 x 1/2 ZP	2
	F01423	Nut, Hex, 1/4-20 ZP	2
12		Contol Panel Back Plate Slot Cover	
	M00130	Back Plate Slot Cover	1
	F08324	Screw, Pan Phillips Machine, 8-32 x 3/4 ZP	4
	F08132	Nut, Lock Washer, 8-32 Kep ZP	4
	S11436	Tape, PVC Foam S/A 1-1/4"	7.2"
13		Transformer Assembly	
	E35713	Transformer, 50VA, Multi-Input, 24VAC Output	1
	E16224	Fuse, 250V	1
	D82218	Vinyl Spade Lug, 22-18 #8	2
	E18373	Wire, 18AWG Hookup Blue	16.5"
	E18371	Wire, 18AWG Hookup Grey	16.5
	D81614	Vinyl Spade Lug, 16-14 #8	2
	D61614	Vinyl Ring Lug, 16-14 #8	1
	E18374	Wire, 18AWG Hookup Orange	27"
	F08324	Screw, Pan Phillips Machine, 8-32 x 3/4 ZP	3
	F08100	Screw, Pan Phillips Machine, 8-32 x 1" ZP	1
	F08132	Nut, Lock Washer, 8-32 Kep ZP	4

DRAWING 5 OF 5 - CONTROL PANEL ASSEMBLY

Item #	Part #	Part Description	Qty
14	Starter Assembly		
	E91024	Contactora, S&S CA4-9-10 24VDC	1
	F08012	Screw, Pan Phillips Machine, 8-32 x 1/2 ZP	2
	F08132	Nut, Lock Washer, 8-32 Kep ZP	2
	E14316	Wire, 16AWG Stranded x 14"	3
	E18379	Wire, 18AWG Hookup White	7.5"
	E91827	Motor Overload,S&S CT4-9 1.8-2.7(460V)HI OR	1
	E94060	Motor Overload,S&S CT4-9 4.0-6.0(208/230V)LO	1

Item #	Part #	Part Description	Qty
15	Pneumatic Control Assembly		
	Clamp Valve		
	P31024	Valve, 3-Way, Humphrey 310 24VDC	1
	P18532	Fitting, 1/8NPT x 5/32 Barb Blk Nylon	2
	P14170	Tubing, 1/4 OD x .170 ID, Black Polyurethane	2"
	P53233	Fitting, 5/32 T Barb, Black Nylon	1
	P14170	Tubing, 1/4 OD x .170 ID, Black Polyurethane	3"
	P14170	Tubing, 1/4 OD x .170 ID, Black Polyurethane	71"
	Router Valve		
	P41024	Valve, 4-Way, Humphrey 410 24VDC	1
	P18532	Fitting, 1/8NPT x 5/32 Barb Blk Nylon	1
	P14170	Tubing, 1/4 OD x .170 ID, Black Polyurethane	1"
	P53233	Fitting, 5/32 T Barb, Black Nylon	1
	P14170	Tubing, 1/4 OD x .170 ID, Black Polyurethane	3.5"
	P14170	Tubing, 1/4 OD x .170 ID, Black Polyurethane	17"
	P18161	Fitting, 1/8NPT x 1/16 Barb, White Nylon	1
	P16181	Tubing, 1/8 OD x 1/16 ID White Urethane	31"
	P00532	Fitting, 1/8NPT x 5/32 Push In Straight	1
	P53202	Tubing, 5/32 OD Clear - See 4 of 5 #19 Page 7	

Item #	Part #	Part Description	Qty
15	Pneumatic Control Assembly (Continued)		
	Drill Valve		
	P41024	Valve, 4-Way, Humphrey 410 24VDC	1
	P18532	Fitting, 1/8NPT x 5/32 Barb Blk Nylon	1
	P14170	Tubing, 1/4 OD x .170 ID, Black Polyurethane	2"
	P53233	Fitting, 5/32 T Barb, Black Nylon	1
	P18162	Fitting, 1/8NPT x 1/8 Barb Black Nylon	1
	P16182	Tubing, 1/8 OD x 1/16 ID Black Urethane	31"
	P53202	Tubing, 5/32 OD x 3/32 ID, Black Urethane	30"
	P33216	Fitting, 3/32 x 1/16 T Barb, Black Nylon	1
	P53202	Tubing, 5/32 OD x 3/32 ID, Black Urethane	40"
	Control Valve Assembly		
	F63230	Screw, Pan Phillips Machine, 6-32 x 3" ZP	2
	F63201	Nut, Nylon Lock, 6-32 ZP	2
	Harness Assembly		
	S12043	Spiral Wrap, 1/2" Black Polyethelene	22"
	D40000	Cable Tie, White Nylon, 4"	22
	D51213	Cable Tie, White Nylon, 5-1/2"	1

Item #	Part #	Part Description	Qty
16	Security Switch Assembly		
	E35001	Switch,Security Interlock,TelemecaniqueXCSPA593	1
	H12516	Grommet, Black Rubber, 5/16 ID x 1/2 OD	1
	E18202	Wire, 18-2 SJT, 2-Wire, Fully Insulated	25"

Item #	Part #	Part Description	Qty
17	Foot Switch Assembly		
	E00491	Switch,Foot Activated,Linemaster491-36SC w/Cord	1
	M00235	Guard, Universal Footswitch	1
	F40388	Screw, Oval Head Self-Tapping, #4 x 3/8 SS	2