

Castle Model TSM-21

Standard

Screw Pocket Machine

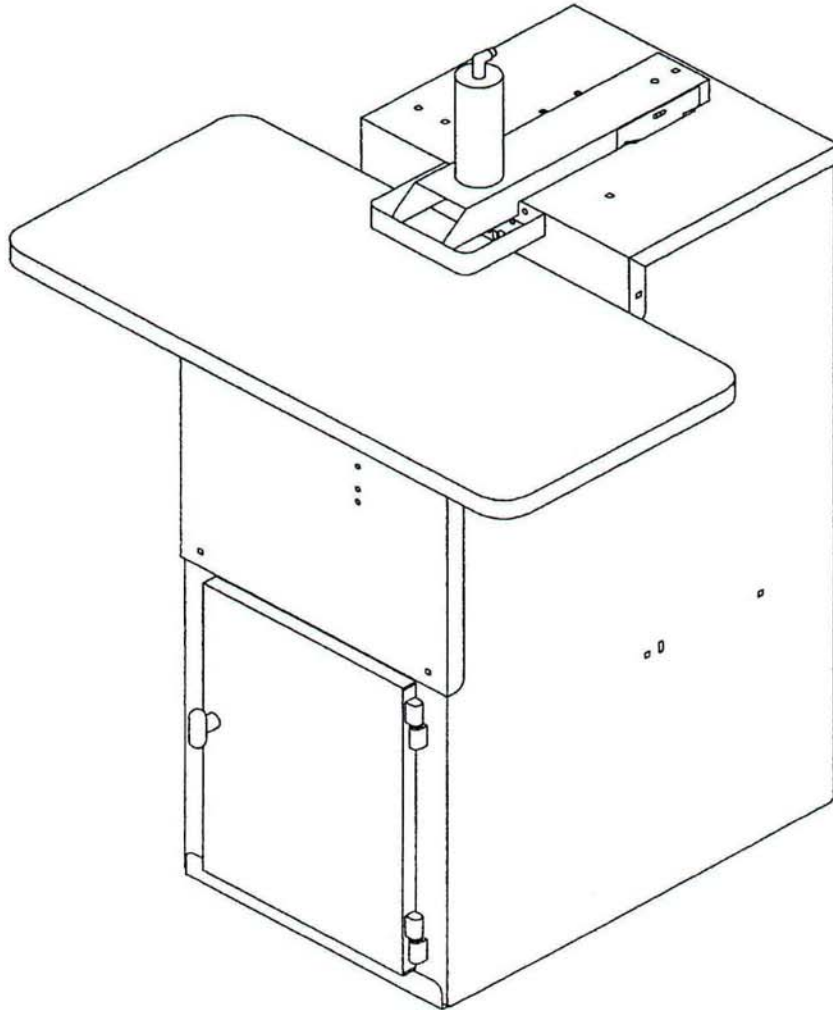
"For Models with Serial Number 62481 and Above"

Items Included with Machine

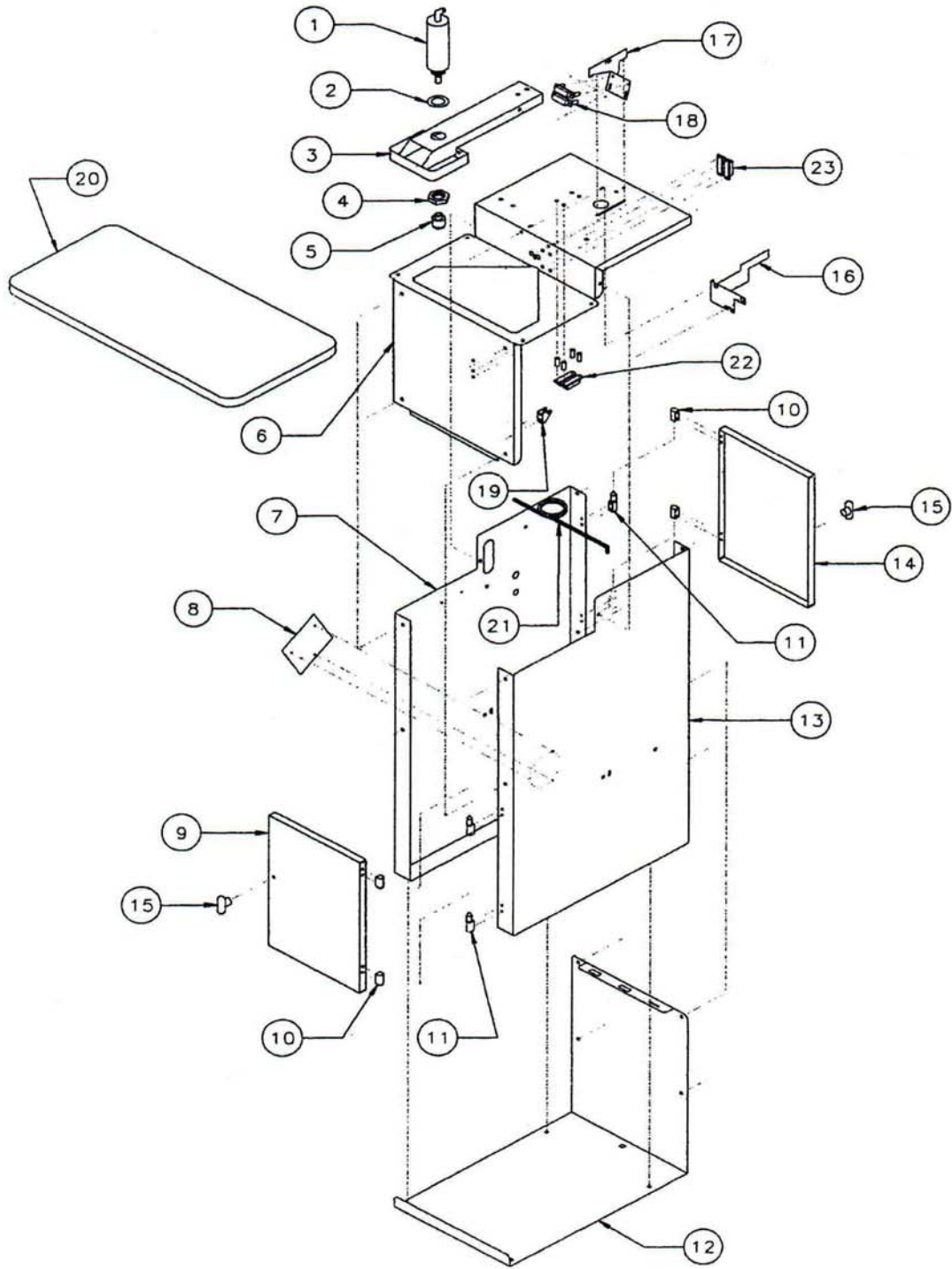
Part No.	Description	Qty
B00964	Castle 9/64 Cobalt Drill Bit w 1/4" Shank	1
B00038	Four Flute Cobalt Rough Mill 3/8" Flute	1
T10692	Wrench, Porter Cable 690	2
T47301	Wrench, Porter Cable 7301	2
B00622	Square Driver Bit, #2 x 6"	1
O00234	Bit Depth Guage	1
S90021	Operator's Manual	1
S21101	Parts List with Parts Drawings	1

NOTES:

1. SEE CASE DETAIL ON PAGE 2
2. SEE CARRIAGE DEATIL ON PAGE 3
3. SEE CONTROL BOX DETAIL ON PAGE 4



TSM-21
STANDARD POCKET MACHINE **1 OF 4**



TSM-21
CASE ASSEMBLY DETAIL 2 OF 4

DRAWING 2 OF 4 - CASE ASSEMBLY

Item #	Part #	Part Description	Qty
1	Clamp Cylinder		
	P00215	Cylinder, Spring Return, 2" Bore, 1.5" Stroke, SS Rod	1
	P14414	Fitting, 1/4 NPT x 1/4 Push in Elbow	1
2	H10138	Washer, Fiber, 1-3/8 ID	1
3	Clamp Guard		
	M00210	Clamp Guard, Yellow	1
	F14234	Carriage Bolt, 1/4-20 x 1-3/4 ZP	1
	F14478	Scrw, Skt Hd Cap, 1/4-20 x 7/8 Bk Oxide	2
	F14202	Nut, Pem Self Clinching, 1/4-20 #2	2
	F01410	Washer, 1/4 SAE ZP	2
	F01420	Nut, Nylon Lock, 1/4-20 ZP	3
4	F11212	Nut, Hex Jam 1-1/2-12 ZP	1
5	Clamp Foot Assembly		
	C00200	Clamp Foot, Small Zinc Plated	1
	N21351	Clamp Foot, Small Zinc Plated	1
	N70118	Pad, Polyurethane 1-1/8"	1
	F12222	Nut, Hex Jam, 1/2-20 ZP	1
6	Case Top Assembly		
	C00210	Face Plate, w/ Adhesive	1
	U21002	Case Top, Green	1
	F14584	Carriage Screw, 1/4-20 x 5/8 ZP	4
	F14234	Carriage Bolt, 1/4-20 x 1-3/4 ZP	1
	F01420	Nut, Nylon Lock, 1/4-20 ZP	5
	F08012	Screw, PanPhillipsMachine, 8-32x1/2 ZP	1
	F08032	Nut, Nylon Lock, 8-32 ZP	1
	D08320	Cable Tie Holder, Small White, Nylon	1
	S00301	Label, Warning, Keep Hands Clear, Lexan	1
	S11635	Label, Made in USA	1
	S17578	Label, Caution, "Wear Safety Glasses"	1

Item #	Part #	Part Description	Qty
7	Case Left Side Assembly		
	G21003	Case Left Side, Green	1
	F14340	Carriage Screw, 1/4-20 x 3/4 ZP	2
	F01420	Nut, Nylon Lock, 1/4-20 ZP	2
	S21001	Label, TSM-21 Model Number	1
	S00320	Label, Serial Number	1
	S13264	Label, Electrical Hazard	1
8	Dust Hole Cover		
	M21009	Dust Hole Cover	1
	F87192	Screw, PanPhillipsMachine, 8-23x3/8 ThrdCutting	3
9	Front Door Assembly		
	C00010	Door, Front, Black W/ Logo	1
10	D00720	Hinge, Plastic, Black, Female	2
	F10011	Screw, Hex Washer Head, 10-24 x 1/2 ZP	4
11	D00710	Hinge, Plastic, Black, Male	2
	F10011	Screw, Hex Washer Head, 10-24 x 1/2 ZP	4
12	Case Bottom Assembly		
	G21001	Case Bottom, Green	1
	F14584	Carriage Screw, 1/4-20 x 5/8 ZP	4
	F01420	Nut, Nylon Lock, 1/4-20 ZP	4
	F38034	Carriage Screw, 3/8-16 x 3/4 ZP	3
	F38160	Nut, Nylon Lock, 3/8-16 ZP	3
	F12120	Washer, 1/2 SAE ZP	2
13	Case Right Side Assembly		
	G21004	Case Right Side	1
	F14340	Carriage Screw, 1/4-20 x 1/2 ZP	2
	F01420	Nut, Nylon Lock, 1/4-20 ZP	2

DRAWING 2 OF 4 - CASE ASSEMBLY

Item #	Part #	Part Description	Qty
14	C00020	Rear Door Assembly	
	M21012	Rear Door, Black	1
10	D00720	Hinge, Plastic, Black, Female	2
	F10011	Screw, Hex Washer Head , 10-24 x 1/2 ZP	4
11	D00710	Hinge, Plastic, Black, Male	2
	F10011	Screw, Hex Washer Head , 10-24 x 1/2 ZP	4
	F02014	Washer, 1/4 ID x 2 OD, ZP	1
	F14212	Carriage Screw, 1/4-20 x 1/2 ZP	1
	F01420	Nut, Nylon Lock, 1/4-20 ZP	1

15	C00015	Door Handle Assembly	2
	H00141	Bar Knob, Black Plastic, 1/4-20	1
	N00101	Spring Door Clip	1
	F14585	Screw, Hex Head Cap, 1/4-20 x 5/8 ZP	1

16	C21101	Safety Switch / Blade Assembly	
	M21016	Safety Switch Blade	1
	F10358	10-32 X 5/8 Button Head Cap Screw S.S.	2

17		Router Stop Plate Assembly	
	G21007	Router Stop Plate, Black	1
	F14340	Carriage Screw, 1/4-20 x 3/4 ZP	1
	F01420	Nut, Nylon Lock, 1/4-20 ZP	1
	F01410	Washer, 1/4 SAE ZP	1

18		Router Stop Switch Assembly	
	E10850	Actuator, Magnetic Strong and Switch, Magnetic Reed	1
	F08012	Screw, Pan Phillips Machine, 8-32 x 1/2 ZP	4
	F83202	8-32 Mach Square Nut	4

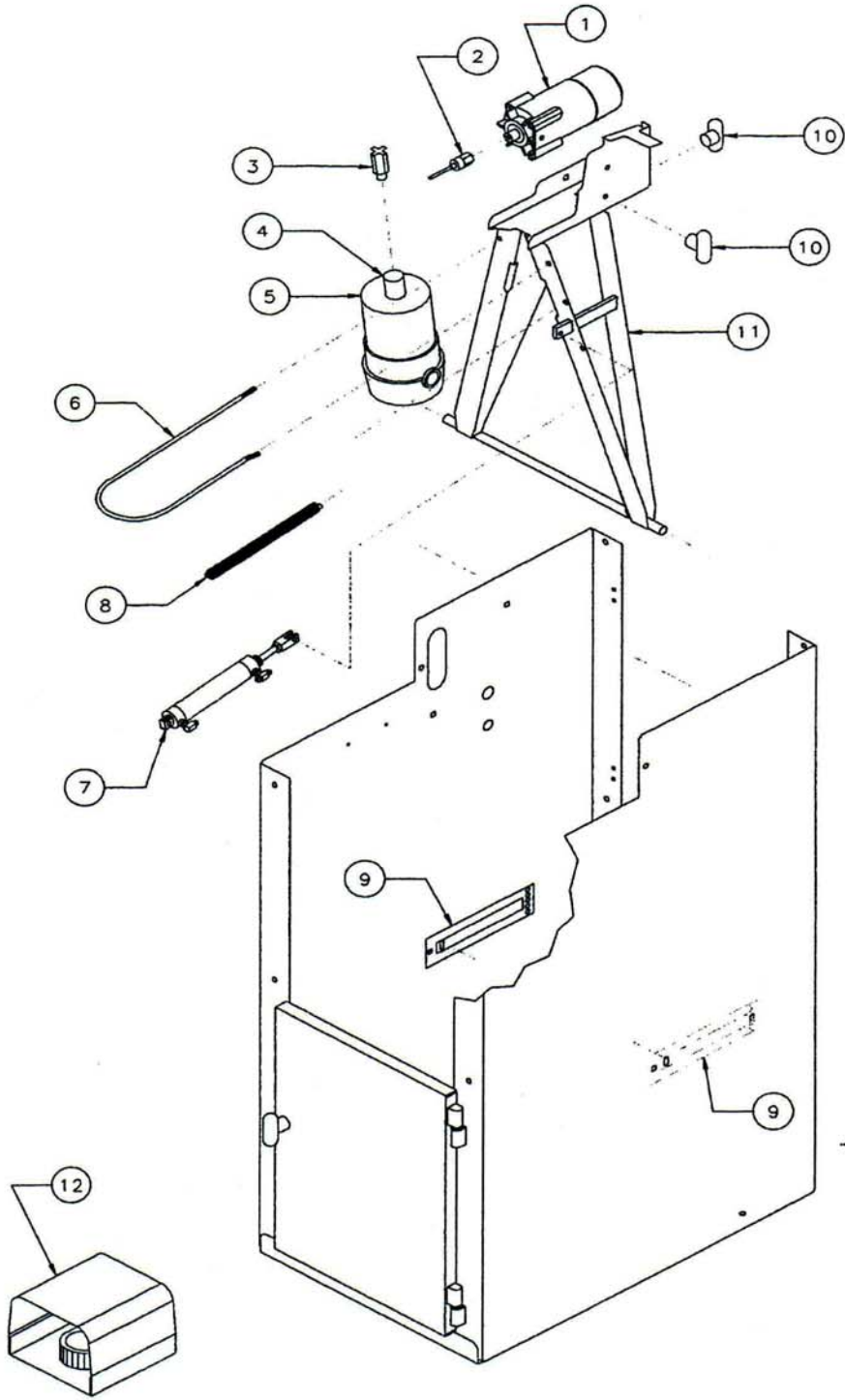
Item #	Part #	Part Description	Qty
19		Clevis Bracket Assembly	
	D07111	Clevis Bracket, 1/4" ZP BP11-C	1
	D14078	Clevis Pin, 1/4 x 7/8 ZP	1
	D14934	Hairpin, 1/4 ZP	1
	F14585	Screw, Hex Head Cap, 1/4-20 x 5/8 ZP	2
	F01420	Nut, Nylon Lock, 1/4-20 ZP	2
	F01410	Washer, 1/4 SAE ZP	2

20	C21006	Work Top Assembly	
	V21001	Top, 1" Particle Board, 15" x 31", Dolphin Grey	1
	H11402	T-Band, 1-1/4" Black Solid Convex	90"
	F44134	Screw, Flat Head Socket Cap, 1/4-20x1-3/4 Bk Ox	4
	F01420	Nut, Nylon Lock, 1/4-20 ZP	4

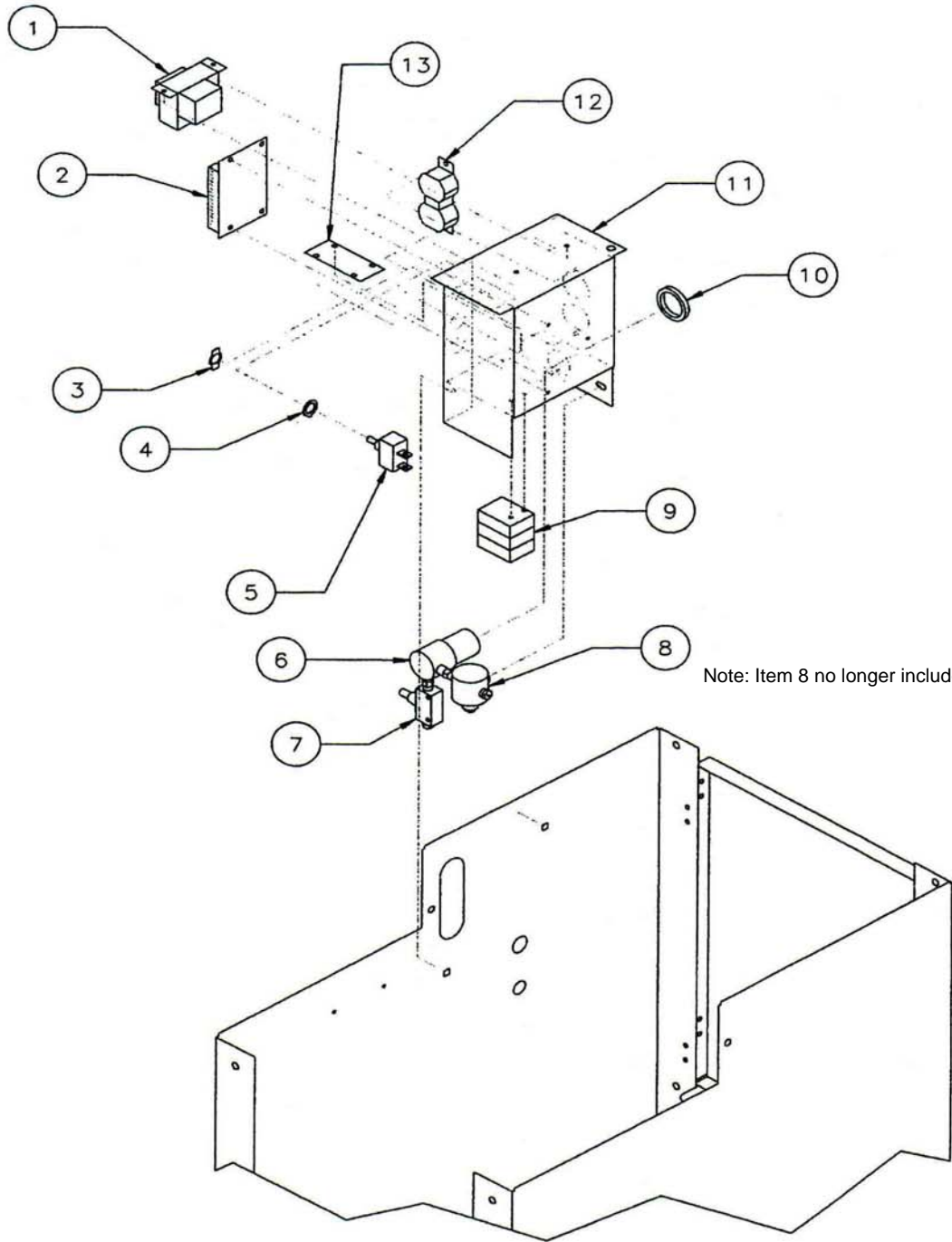
21		Bar Spring Assembly	
	N21366	Single Coil Torsion Bar Spring	1
	M21066	Plate, Bar Spring Retainer, Egalv	1
	F14340	Carriage Screw, 1/4-20 x 3/4 ZP	2
	F01420	Nut, Nylon Lock, 1/4-20 ZP	2

22		Safety Switch Assembly	
	E10850	Actuator, Magnetic and Switch, Magnetic Reed	1
	F08122	Screw, Pan Head Phillips Machine, 8-32x1-1/2 ZP	4
	H38507	Spacer, White Nylon, 3/8 OD x 5/32 ID x 7/8 L	4
	F83202	8-32 Mach Square Nut	4

23		Drill Stop Switch Assembly	
	E10850	Actuator, Magnetic and Switch, Magnetic Reed	1
	F08322	Screw, Flat Head Phillips Machine, 8-32x1/2 ZP	4
	F83202	8-32 Mach Square Nut	4



TSM-21
DRILL & ROUTER CARRIAGE DETAIL **3 OF 4**



Note: Item 8 no longer included



TSM-21
CONTROL BOX DETAIL 4 OF 4

DRAWING 4 OF 4 - CONTROL PANEL ASSEMBLY

Item #	Part #	Part Description	Qty
1	Transformer Assembly		
	E11424	Transformer, 120V Primary, 24V Secondary	1
	D81614	Spade Lug, 16-14 AWG #8	2
	F63238	Screw, Pan Phillips Machine, 6-32 x 3/8 ZP	2
	F63260	Nut, Lock Washer, 6-32 Kep ZP	2

Item #	Part #	Part Description	Qty
2	Control Board Assembly		
	E21024	EL-21 Solid State Control Board	1
	E21016	Terminal Strip, 16 Pin	1
	H00013	Circuit Board Support	3
	E22708	Wire, 22AWG, 2 Strand, Grey Jacketed	22"
	E22708	Wire, 22AWG, 2 Strand, Grey Jacketed	32"
	E22708	Wire, 22AWG, 2 Strand, Grey Jacketed	54"

3	H30843	Plate, Power Switch On/Off	1
----------	--------	----------------------------	---

4	H29761	Locking Ring, Power Switch Mounting	1
----------	--------	-------------------------------------	---

5	E75762	Switch, Power, 30 A, 125 VAC	1
----------	--------	------------------------------	---

Item #	Part #	Part Description	Qty
6	Regulator Assembly		
	P14113	Regulator, Parker, 1/4 NPT, 0-125 PSI	1
	P25421	Nipple, 1/8 NPT Hex Close	1
	P18230	Fitting, 1/8M x 1/8 Barb, White Nylon Elbow	1
	P14170	Tubing, 1/4 OD x .170 ID, Black Polyurethane	2"
	P33218	Fitting, 3/32 x 1/8 x 3/32 White Barb Tee	1
	P53118	Tubing, 5/32 OD x 3/32 ID Nat. Polyethelene	2"
	P53118	Tubing, 5/32 OD x 3/32 ID Nat. Polyethelene	6"

Item #	Part #	Part Description	Qty
7	Router Speed Control Assembly		
	P00117	Valve, Flow Control, SMC NAS-2000-N01	1
	P18011	Fitting, 1/8-27 x 10-32, White Nylon Bushing	1
	P10316	Fitting, 10-32 x 3/32 Barb White Nylon Elbow	1
	P53218	Tubing, 5/32 OD x 3/32 ID Black Polyethelene	6"

Item #	Part #	Part Description	Qty
8	Item no longer included in assembly		

Item #	Part #	Part Description	Qty
9	Control Valve Assembly		
	P21224	Valve, Parker 3-Way 24 VDC	3
	P53118	Tubing, 5/32 OD x 3/32 ID Black Polyethelene	48"
	P53118	Tubing, 5/32 OD x 3/32 ID Natural Polyethelene	44"
	S12043	Spiral Wrap, 1/2" Black Polyethelene	32"
	F63212	Screw, Flat Hd Phillips, Machine, 6-32x2-1/2 ZP	2
	F63201	Nut, Lock Washer, 6-32 Kep ZP	2

10	D78652	Panel Nut, Regulator Mounting	1
-----------	--------	-------------------------------	---

Item #	Part #	Part Description	Qty
11	Control Panel Enclosure Assembly		
	M21014	Control Panel Enclosure, 14 GA Egalv	1
	F14584	Carriage Screw, 1/4-20 x 5/8 ZP	2
	F01420	Nut, Nylon Lock, 1/4-20 ZP	2
	E21143	Power Cord, 14-3 SJT w/ 3 Prong Plug	1
	D81614	Spade Lug, Vinyl, 16-14 AWG # 8	3

Item #	Part #	Part Description	Qty
12	Motor Power Outlet Assembly		
	E05320	Outlet, Duplex	1
	E96184	Wire, 20AWG Stranded, Green	10"
	E96183	Wire, 20AWG Stranded, Red	10"
	F63238	Screw, Pan Phillips Machine, 6-32 x 3/8 ZP	2
	F63201	Nut, Lock, 6-32 Kep ZP	2

Item #	Part #	Part Description	Qty
13	Slot Cover Assembly		
	M00130	Back Plate Slot Cover	1
	S87092	Tape, Foam S/A 1-1/4"	6"
	F63210	Screw, Pan Phillips Machine, 6-32 x 1/2 ZP	4
	F63201	Nut, Lock, 6-32 Kep ZP	4