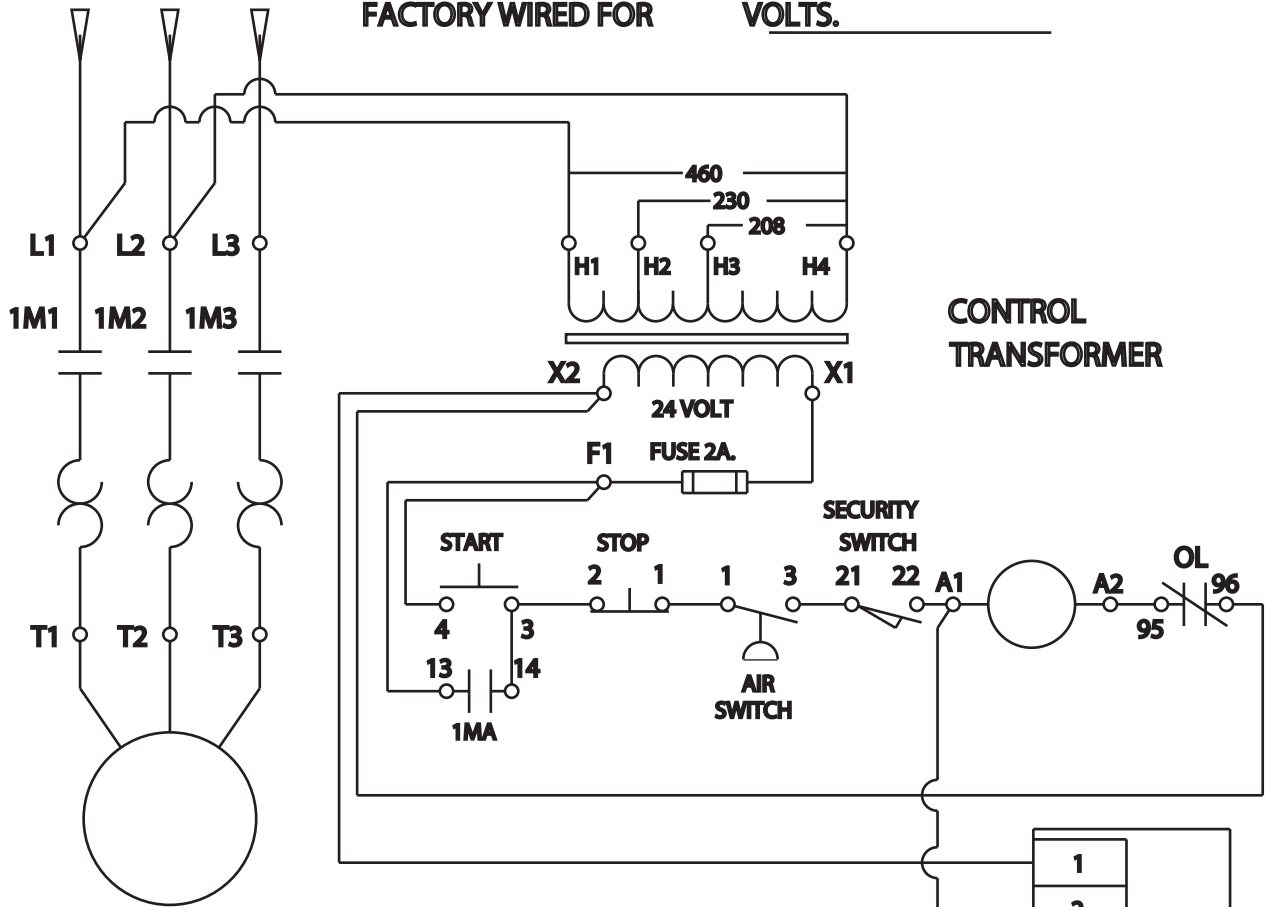


SUPPLY POWER

FACTORY WIRED FOR _____ VOLTS.



NOTES:

1. CHECK IF THE MOTOR LEADS ARE CONNECTED PROPERLY FOR THE SUPPLY VOLTAGE USED.
2. SELECT THE TRANSFORMER PRIMARY TERMINALS H1 THRU H4 FOR THE SUPPLY VOLTAGE USED.
3. VERIFY THE OUTPUT VOLTAGE OF THE TRANSFORMER ON TERMINAL X2 AND F1 TO BE BETWEEN 22 AND 26 VOLTS TO ASURE PROPER SOLENOID OPERATION.

FOOT SW. (NO)	1
	2
	3
	4
SAFETY SW. (NO) RED	5
	6
ROUTER STOP SW. (NO) WHITE	7
	8
	9
DRILL STOP SW. (NO) BLACK	10
	11
CLAMP VALVE YELLOW	12
	13
ROUTER VALVE WHITE	14
	15
DRILL VALVE BLACK	16

CONTROL BOARD, MODEL: EL35

CASTLE TOOL INC.

800-282-8338